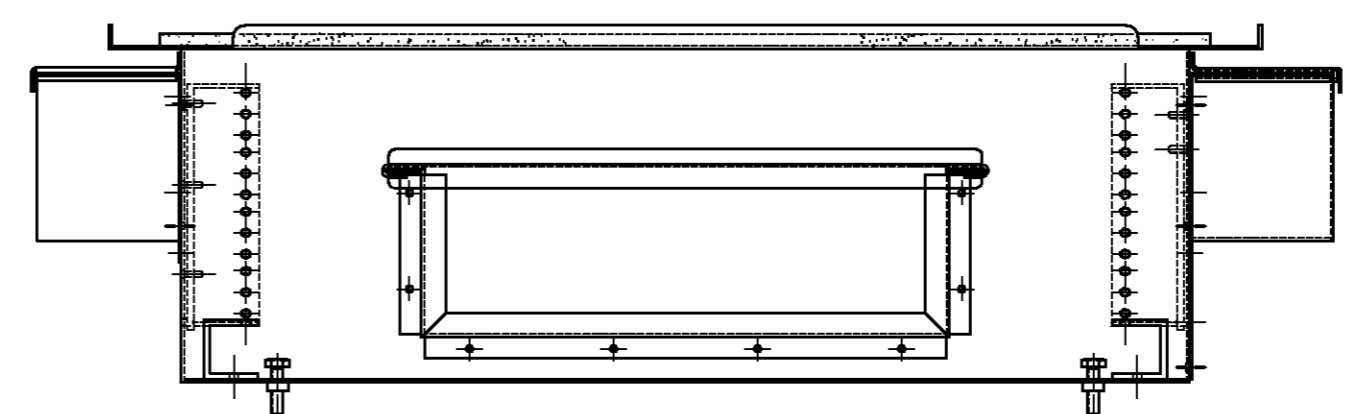
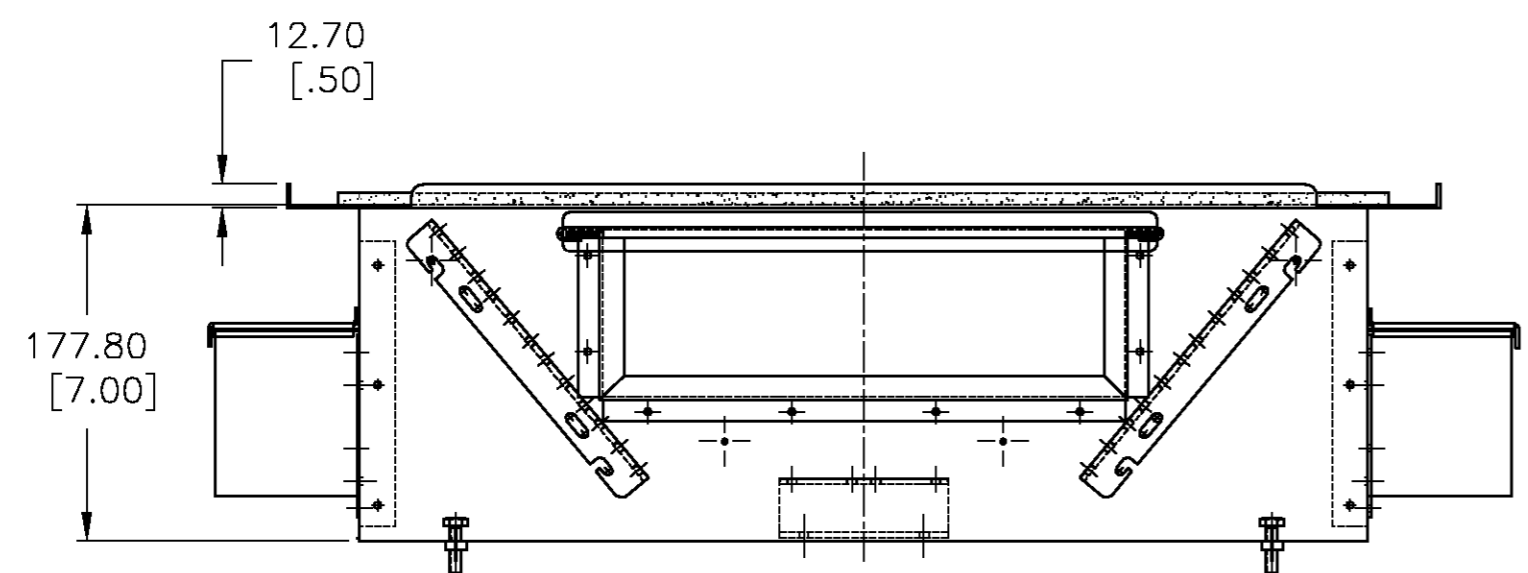
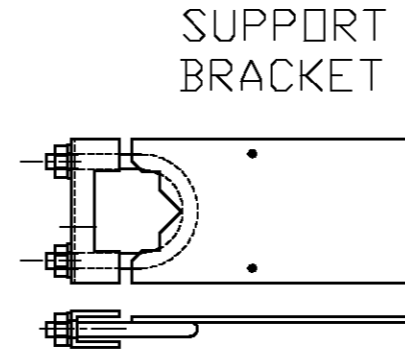
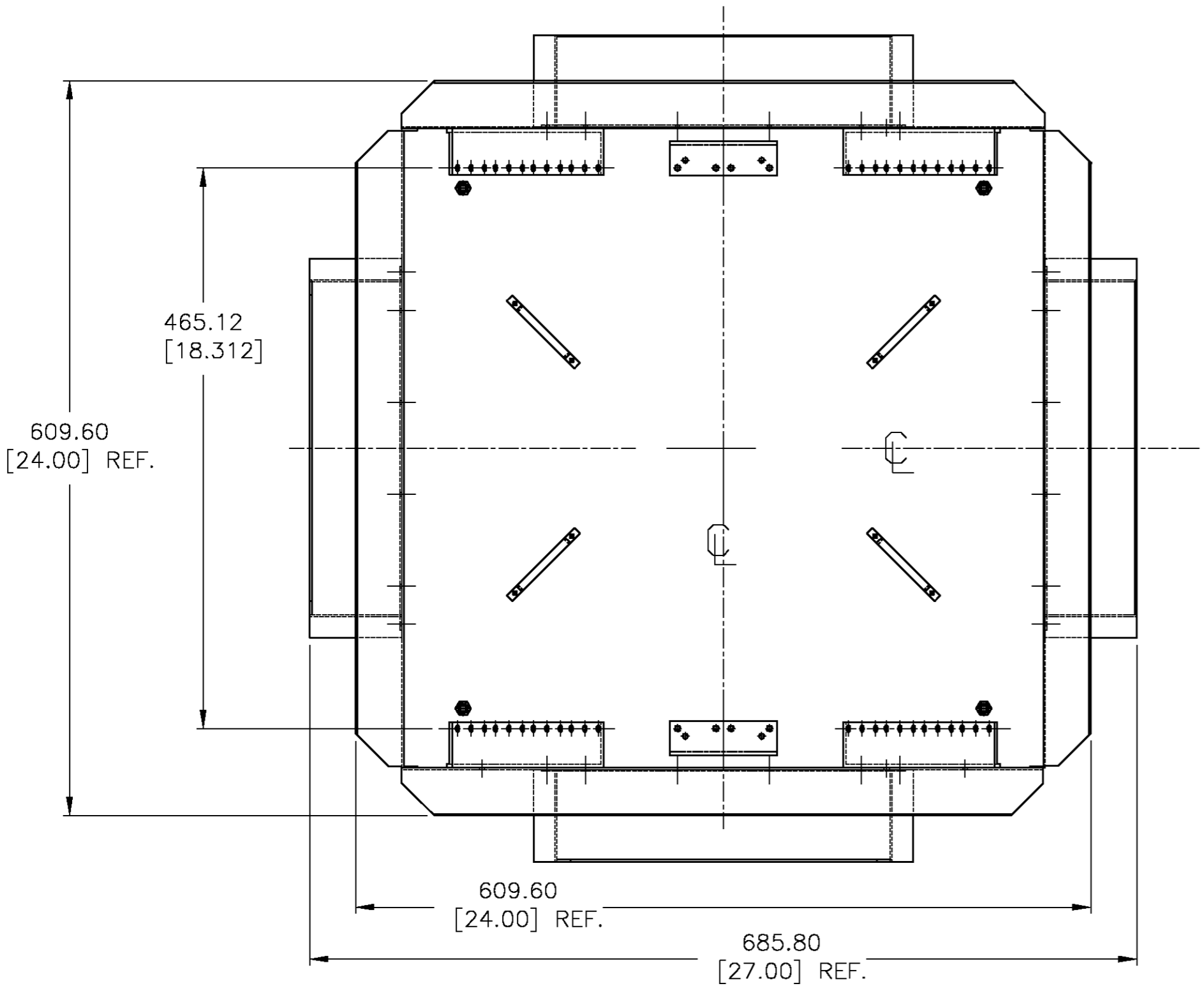


THIS DRAWING IS UNPUBLISHED. RELEASED FOR PUBLICATION
 © COPYRIGHT BY TYCO ELECTRONICS CORPORATION. ALL RIGHTS RESERVED.

LOC	DIST	REVISIONS					
		P	LTR	DESCRIPTION	DATE	DWN	APVD
HM	00	0		RLSD-PER NSD02-134	18NOV02	LH	SH
		A		REV-EC 0B40-0289-03	24NOV03	LH	SH

- 1 MATERIAL: FINISH - MILL
- 2. PACKAGE 1 PER BOX.



1479359-1
PART NO.

THIS DRAWING IS A CONTROLLED DOCUMENT.		DWN	L. HALL	14NOV02	tyco Electronics	Tyco Electronics Corporation	
DIMENSIONS: MM [INCHES]		CHK	S. HERNDON	18NOV02		Harrisburg, PA., 17105-3608	
TOLERANCES UNLESS OTHERWISE SPECIFIED:		APVD	S. HERNDON	18NOV02	NAME		
0 PLC ± -		PRODUCT SPEC			7 INCH RAISED FLOOR ENCLOSURE		
1 PLC ± -		APPLICATION SPEC			-		
2 PLC ± .03		SIZE	A2	CAGE CODE	00779	DRAWING NO	C=1479359
3 PLC ± .010		RESTRICTED TO	-				
4 PLC ± -		SCALE	1:4		SHEET	1 OF 1	
ANGLES ± -		REV	A				
FINISH		CUSTOMER DRAWING					